

*Manufacturers' Representative:*



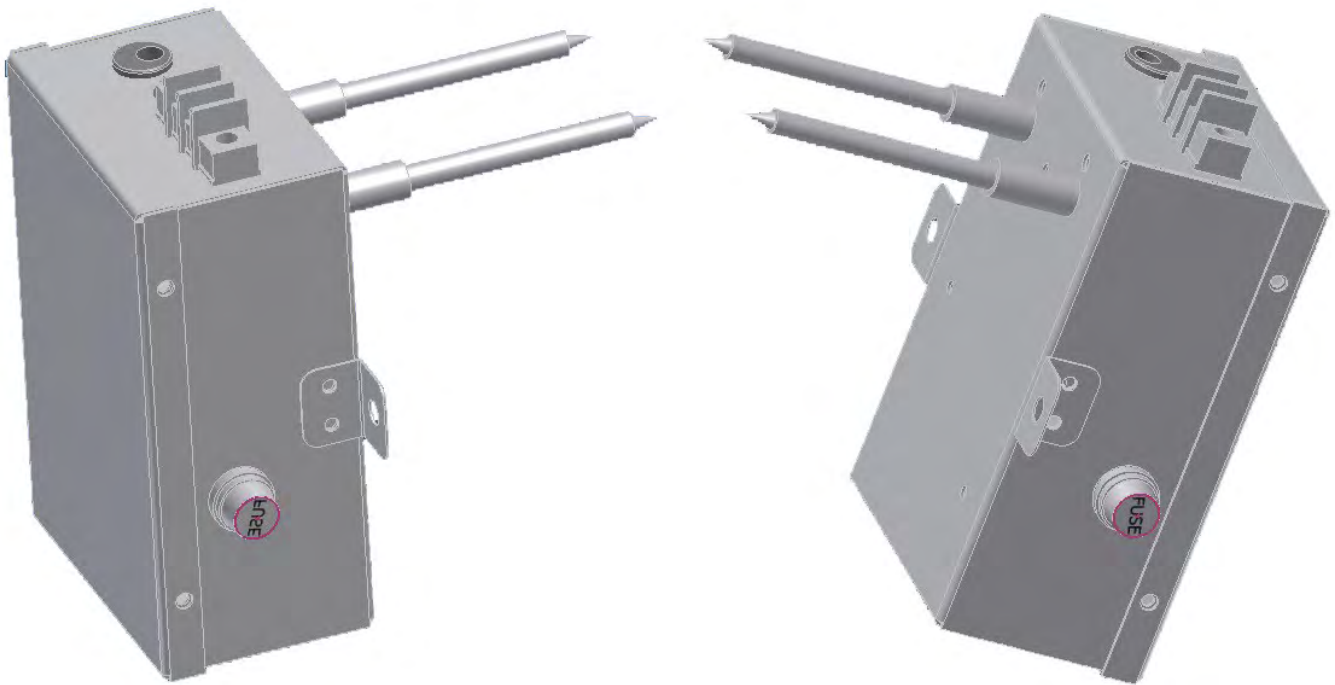
**CAPITAL ENERGY  
EQUIPMENT, INC.**

**BETTER IAQ SOLUTIONS**

tel. (703) 437-8161

info@capitalenergyequipment.com

## **RN Duct Mounted Unit**



Manufacturers' Representative:



**CAPITAL ENERGY  
EQUIPMENT, INC.**

**BETTER IAQ SOLUTIONS**

tel. (703) 437-8161

info@capitalenergyequipment.com

**APPLICATIONS**

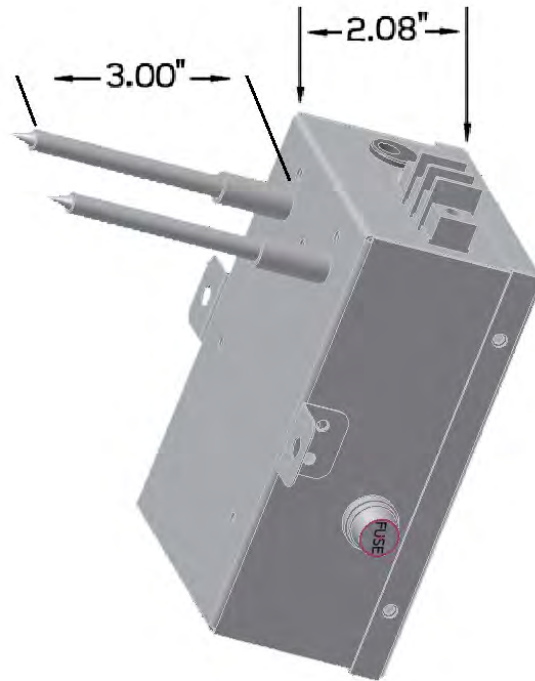
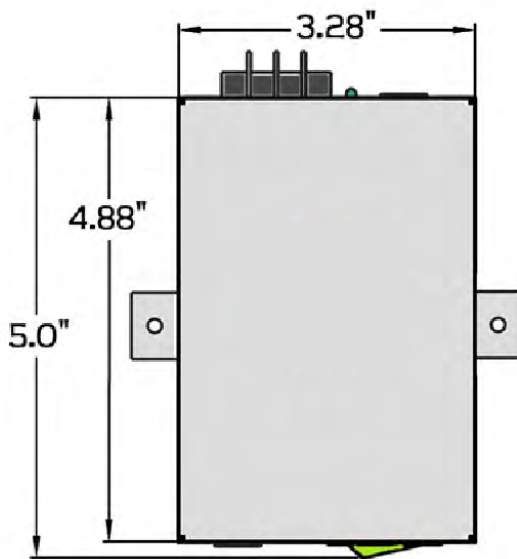
- Waiting Rooms
- Patient Rooms
- Lobbies
- Body Coolers
- Restaurants
- Classrooms
- Beauty Salon
- Veterinarian Office
- Animal Holding
- Storage Rooms
- Science Classrooms
- Morgues
- Pathology
- Histology
- Office Space
- Conference Rooms
- Locker Rooms
- Kitchen

**FEATURES**

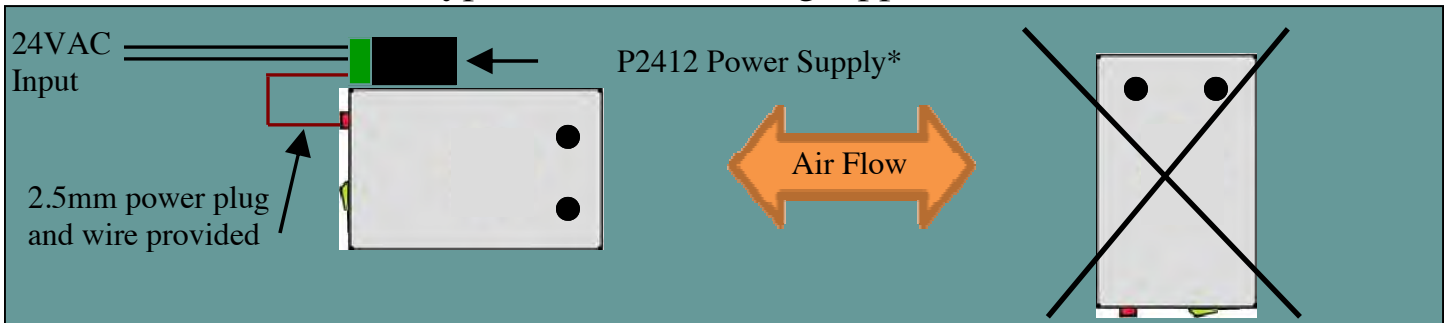
- 2,400 CFM Capacity
- Stainless Steel Housing
- Low Profile
- Needlepoint Ionization
- Stainless Steel Needles
- 2.5mm 12VDC Input
- Illuminated On/Off Switch
- No Tubes to Replace
- Essentially No Maintenance

**BENEFITS**

- Neutralizes Odors
- Kills Mold
- Kills Bacteria
- Kills Virus
- Easy Installation
- Easy Service
- Controls Static

### Typical Duct Mounting Application



Mount RN so air flows across ion needles simultaneously

\*24VAC input power supply shown, but 90VAC to 266VAC inputs are available

## RN Technical Data

### Specifications

Airflow Capacity:	Up to 2,400 CFM (per needle pair)
Pressure Drop:	< 0.05" W.C. @ 5,000 FPM
Dimensions**:	5.0"H x 3.3"W x 2.1" D
Mounting Box:	Stainless Steel Box
Electrode:	Stainless Steel or Carbon Fibers
Weight:	2 pounds
Temperature Range:	-20F to 160F
Humidity Range:	0-99% non-condensing

### Electrical:

Voltage:	85VAC to 264VAC Input (24VAC Optional)
Power Consumption:	6.0 Watts Max
Frequency:	50HZ to 60HZ
Air Flow Sensing	Electronic - No external air pressure switch required

### Ionization:

Ionization Generation:	Needlepoint Bi-Polar Ionization
Number of Ion Modules:	(1) per 2,400 CFM

**Electric Approvals:** UL 867 including ozone chamber testing

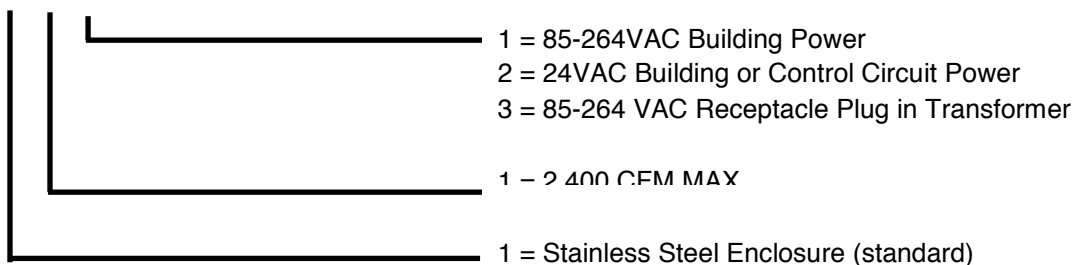
**Ion Alarm Status:** BAS dry contact output and local LED status

### Duct Mounting Installation Instructions without NEMA enclosure:

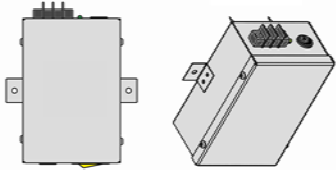


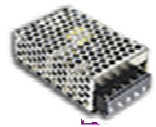


1. Drill (2) 1/2" holes that are 1.6" (40mm) apart (center to center)
2. Using two self tapping sheet metal screws, insert ion needles through 1/2" holes and secure screws through the stainless steel mounting tabs located on each side of the enclosure.
3. Mount and wire power supply ordered. Insert 12VDC power plug and turn power switch to "ON".
4. Illuminated ON/Off switch indicator light will be illuminated when breaker is turned on and no faults exist.

### Model Designation

RN - 1 - 1 - 1



### RN Installation Options

<p>OPTION 1 Stainless Steel Box (Standard)</p> 	<p>OPTION 2 Duct Mounting Base Plate</p>  <p>BP</p>	<p>OPTION 3 Duct Mounting Base Plate w/Receptacle</p>  <p>BP120</p>
<p>85-264VAC Input Power Supply</p>  <p>UP12 Power Supply</p>	<p>24VAC Input Power Supply</p>  <p>P2412 Power Supply</p>	<p>115VAC Wall Power Supply</p>  <p>UPW12 Power Supply</p>

PC1



All products are provided with a 12VDC 2.5mm power plug and wires.

PC2



Note: If more than (1) RN is required per duct, a PC2 dual ended power cable may be used to connect up to (3) RN units from one power supply.