

Herrmidisteam - SS

Isothermal Steam to Steam Humidifier



TECHNICAL ENGINEERING SPECIFICATION



Herrmidisteam™ heats and boils clean water into chemical-free steam to be distributed throughout the facility.

Introduction:

The Herrmidifier® Herrmidisteam™ Isothermal Steam to Steam (SS) humidifier is designed to provide “clean steam” that is free of boiler treatment chemicals that are associated with some conventional plant steam humidifiers. Each system is custom engineered to assure quality, performance, and a long, trouble-free service life.

The Herrmidisteam™ system operates by circulating plant steam through a specially engineered heat exchanger that generates steam in a stainless steel vaporization chamber. Designed for use with raw water or deionized /reverse osmosis technical waters, the resulting steam is as clean as the water being supplied to the unit.

Output capacities are available up to and exceeding 700 lbs/hr of steam. Optional nickel-plated heat exchangers are available for use with raw water and are available in output capacities up to and exceeding 1000 lbs/hr of steam.

Each unit comes complete with a dedicated control system and a control valve package that includes condensate traps, line strainer, control valve, and actuator. The Herrmidisteam™ control system will accept a proportional demand signal from a BMS or humidity controller. Optional installation configurations and control schemes are available to meet special application needs.

Applications:

- Laboratories
- Cleanrooms
- Paper Storage & Handling
- Office Buildings
- Hospitals / Clinics / Medical Offices
- Manufacturing Plants
- Semiconductor Manufacturing
- Printing Operations
- Museums
- Research Facilities

Features & Benefits:

- Purity of Steam Humidification
- Compatible with Raw or Technical Waters
- Utilizes Existing Energy Source
- Simple Maintenance
- Stainless Steam Vaporization Chamber
- Flexible Mounting Options
- Works with Hurricane or Est Dispersion Tubes
- ETL Listed

Warranty:

- 2-Year Limited Warranty



Herrmidisteam - SS

Isothermal Steam to Steam Humidifier

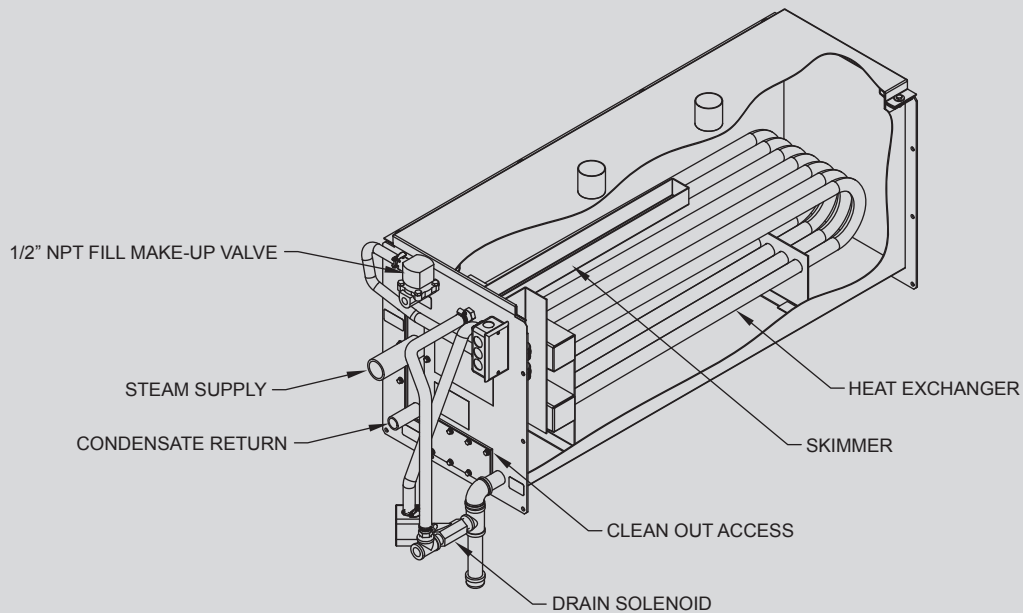
TECHNICAL ENGINEERING SPECIFICATION

Stainless Steel HXR Max. Output Capacities:

Model	5 PSI	10 PSI	13 PSI	15 PSI
SS-DI-200S	55 lbs/hr	120 lbs/hr	165 lbs/hr	200 lbs/hr
SS-DI-500S	65 lbs/hr	210 lbs/hr	310 lbs/hr	400 lbs/hr
SS-DI-800S	185 lbs/hr	375 lbs/hr	540 lbs/hr	760 lbs/hr

Copper HXR Max. Output Capacities:

Model	5 PSI	10 PSI	13 PSI	15 PSI
SS-200C	70 lbs/hr	140 lbs/hr	240 lbs/hr	315 lbs/hr
SS-500C	150 lbs/hr	300 lbs/hr	420 lbs/hr	490 lbs/hr
SS-800C	350 lbs/hr	800 lbs/hr	1000 lbs/hr	1100 lbs/hr



Unit Weights:

Model	200	500	800
Shipping Weight	125 lbs	140 lbs	320 lbs
Operating Weight	330 lbs	350 lbs	950 lbs

©2010 Herrmidifier® - Engineered Humidification Solutions. Herrmidifier® is a registered trademark of Air System Components, Inc. Herrmidifier® reserves the right to revise or modify products and/or specifications without notice. All product specifications reflect available information at the printing of this brochure.

Herrmidifier® | 101 McNeill Road | Sanford, NC 27330 | Phone: 800-884-0002 | Fax: 800-458-2379
www.herrmidifier-hvac.com | Email: cs@herrmidifier-hvac.com